



## **USE AND MAINTENANCE INSTRUCTIONS**

# **HOT SPOT WIND**

## **Outdoor pellet stove with natural draft and ventilation**

This manual forms integral part of the product, along with the additional sheet, specific for each model. Carefully read the instructions and information before use.

*Dear customer, thank you for choosing one of our products, which is the result of technological expertise and our continuous quest for superior products in terms of safety, reliability and performance. In this manual you will find all the information as well as helpful tips to use your product in maximum safety and with maximum efficiency.*

## **IMPORTANT INFORMATION**

This manual has been prepared by the manufacturer and is an integral and essential part of the product. In the event of sale or transfer of the product, always ensure the presence of the manual as the information it contains is addressed to the purchaser and to all those various people involved in the use and maintenance of the product. Carefully read the instructions and information contained in this manual before operation and maintenance of the product. The instructions contained in this instruction manual guarantee the safety of persons and property and ensure efficient operation and a longer service life. The manufacturer declines all responsibility for damage caused by failure to observe instructions regarding use and maintenance listed in the instruction manual, for unauthorised modifications or non-original replacement parts. The product must be used in accordance with the manufacturer's instructions and in compliance with European, national and local regulations. Maintenance and repairs are operations that must be performed by qualified and licensed personnel who must have appropriate knowledge of the product. The product must not be used close to walls made of wood or combustible material. Hot spot installation must be performed by at least two people. Only operate the hot spot with regulation wood pellets (refer to the "FUEL" chapter). Never use liquid fuels to operate the product and to stoke the embers present. Discontinue use of the product in the event of failure or malfunction. Any accumulated unburned pellets in the burner as a result of repeated failed ignitions must be removed prior to next ignition. Hot spot operation can cause the handles, chimney flue, and glass surfaces to become very hot. Only touch these parts during operation when wearing protective clothing or with adequate aids. Inform children of the precautions to be observed during product operation and of possible dangers. In the event of problems or misunderstanding of the instructions manual, contact your dealer. Placing objects which cannot withstand heat on the hot spot or within the minimum required safety range is prohibited. Do not open the door during operation or operate the hot spot with its glass broken. For product terms, limitations and exclusions, please refer to the warranty included with the product. In order to pursue a policy of constant product development and renewal, the manufacturer may make changes to it as deems appropriate without notice. This document is the property of the manufacturer and cannot be disclosed in whole or in part to any third party without the written consent of the company, which reserves all rights according to the law.

## **GUIDELINES AND STANDARDS**

All our products are manufactured according to the following guidelines:

EN 14543  
EN 14785  
EN 60335-2-102

1	SPECIFICATIONS AND TECHNICAL DATA .....	4
1.1	Specifications .....	4
1.2	Technical data .....	4
1.3	Product identification data (data label).....	4
2	FUEL.....	5
2.1	General notes.....	5
3	ASSEMBLY .....	6
3.1	Unpacking .....	6
3.2	Electrical connection.....	6
3.3	Assembly .....	6
3.4	Safety distances .....	7
4	USE .....	7
4.1	Instructions for use .....	9
4.2	Filling up the tank.....	10
4.3	Ignition .....	10
4.4	Combustion mode.....	11
4.5	Brazier cleaning.....	11
4.6	Shutdown .....	12
4.7	Ventilation.....	12
5	WARNINGS AND MAINTENANCE .....	13
5.1	Opening the door .....	13
5.2	Disposal of ashes.....	13
5.3	Brazier cleaning.....	13
5.4	Ash drawer cleaning.....	13
5.5	Combustion chamber cleaning .....	14
5.6	Cleaning metal parts .....	14
5.7	Cleaning slide .....	14
5.8	Cleaning the glass part of the door .....	14
5.9	Breaking of the glass .....	14
5.10	Stove inactivity.....	15
5.11	Routine and special maintenance.....	15

# 1 SPECIFICATIONS AND TECHNICAL DATA

## 1.1 Specifications

The pellet hot spots are devices to be used outdoors only and built to work with good quality wood pellets only (see par. 3 fuel).

## 1.2 Technical data

*Model or type: Hot Spot Wind*

*Brazier power: 13 kW*

*Hourly consumption (min/max): 1.5 - 2.5 Kg/h*

*Pellet tank capacity: 13 Kg*

*Weight: 100 Kg*

*Dimensions (LxPxH): 546x520x2118 mm*

*Power Supply: 230V / 50Hz*

*Current draw max: 380W*

## 1.3 Product identification data (data label)

The technical label shows device data and performance. Tampering with, removing or lack of a technical label makes maintenance operations difficult, due to the lack of product identification. If damaged, ask the service centre for a copy.

**CAUTION: This product can only be used outdoors**

## 2 FUEL

### 2.1 General notes

This product was designed to burn wood pellets alone.

*Wood pellets are a fuel obtained from the pressing of sawdust timber, extracted from the processing and transformation residues of dried wood material. The compactness of the product over time is guaranteed by a natural origin substance contained in the wood: lignin. The typical small cylinder form is obtained by extrusion.*

*Various types of pellets with quality and characteristics that vary depending on the processing and type of wood species used are available on the market.*

**CAUTION: Always use certified quality wood pellets: ex. DIN, DIN PLUS, ÖM 7135, Pellet Gold, Catas etc. the company does not guarantee proper hot spot functioning if low-quality pellets are used.**

The hot spots are tested and programmed to ensure good performance and perfect quality operation with pellets with specific characteristics:

<b>components:</b>	<b>wood</b>
<b>length:</b>	<b>&lt; 30 mm</b>
<b>diameter:</b>	<b>6-6.5 mm</b>
<b>lower calorific value:</b>	<b>4.8 kWh/kg</b>
<b>Humidity rate:</b>	<b>&lt; 8 %</b>
<b>residual ash:</b>	<b>&lt; 0.5 %</b>

GOOD QUALITY pellets are smooth, shiny, slightly dusty and with regular length.

LOW QUALITY pellets are of varied lengths, dusty with vertical and horizontal splits.

**Since pellet characteristics and quality greatly influence the autonomy, efficiency and proper operation of the hot spot, we recommend:**

**AVOID using pellets with dimensions different from that described by the manufacturer.**

**AVOID using low quality pellets or pellets containing dispersed sawdust powder, resins or chemicals, additives or adhesives.**

**AVOID using moist pellets.**

The use of unsuitable pellets causes:

- clogging of the brazier and fume discharge ducts,
- increased consumption of fuel,
- decreased efficiency,
- no guarantee of normal hot spot operation,
- dirtying of glass,
- production of unburned granules and heavy ash.

The presence of moisture in pellets increases the volume of the capsules and crumbles,

- feeding system malfunctions
- poor combustion.

Pellets should be stored in a dry and sheltered place. Particular attention should be given to the handling of the bags to prevent their crushing, resulting in the formation of sawdust.

**THE USE OF POOR QUALITY PELLETS NOT IN ACCORDANCE WITH MANUFACTURER'S INSTRUCTIONS NOT ONLY DAMAGE THE HOT SPOT AND COMPROMISE PERFORMANCE BUT MAY RESULT IN FORFEITURE OF THE WARRANTY AND COMPANY LIABILITY.**

## 3 ASSEMBLY

Here are some general recommendations to follow in order to prevent accidents or damage to the product:

- Unpacking must be performed by at least two people.
- **All handling operations must be carried out using appropriate means and in full compliance with safety regulations.**
- The positioning of the packed product must be maintained in accordance with the guidelines supplied by pictograms and written on the packaging.
- If using ropes, straps, chains, etc., make sure they are suitable for the weight to be unloaded and are in good condition.
- When moving the package, move with slow and continuous movements to avoid tearing the ropes, chains, etc.
- Do not tilt excessively in order to avoid overturning.
- Do not stand within range of the loading/unloading means (forklifts, cranes, etc.).

### 3.1 Unpacking

Unpack the product, being careful not to damage or scratch it. Remove the accessory package and any pieces of polystyrene or cardboard used to block removable parts from the furnace.

Also remember not to leave packaging components (plastic bags, polystyrene, etc.) within the reach of children, as they could be potential sources of danger. Dispose of them according to regulations.

### 3.2 Electrical connection

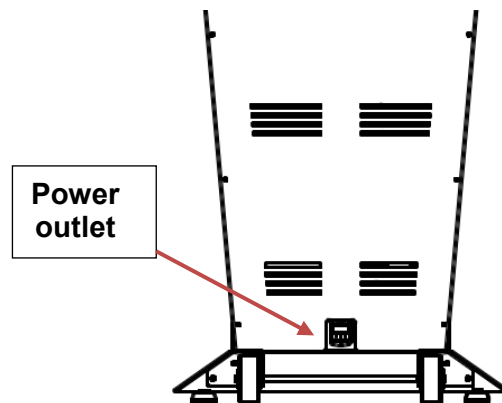
The stove is supplied with a power cable that must be plugged into a 230V 50Hz outlet.

Outlet connection in the rear of the stove is illustrated in Figure

Absorbed power is indicated in the "SPECIFICATIONS AND TECHNICAL DATA" chapter of this manual.

By law, the system must be properly grounded and with a differential circuit-breaker.

Make sure that the electrical power cable does not come into contact with hot parts when set in its final position.



### 3.3 Assembly

- 1 Insert the pipes into the holes below and push them fully until they are well fixed (*Fig.2*)
- 2 Fit the net on the pipes and slide it to the bottom (*Fig. 3*)
- 3 Place the lower dish (*Fig.4*)
- 4 Lay the three support and the upper dish, then secure everything (*Fig.5*)
- 5 Tighten the carrying handle (*Fig.6*)

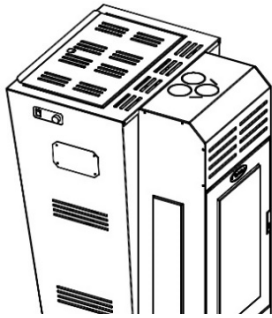


Fig. 1

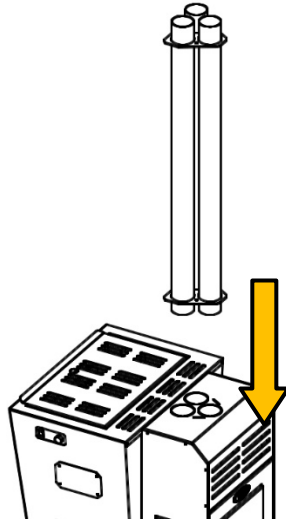


Fig. 2

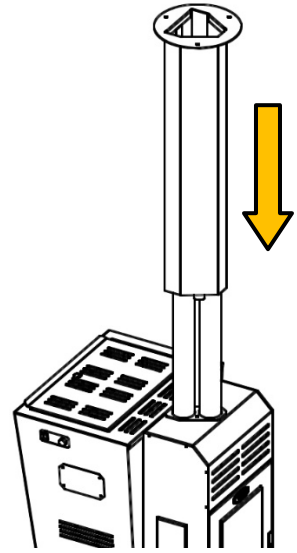


Fig. 3

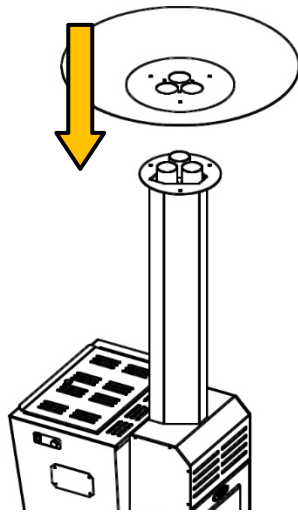


Fig. 4

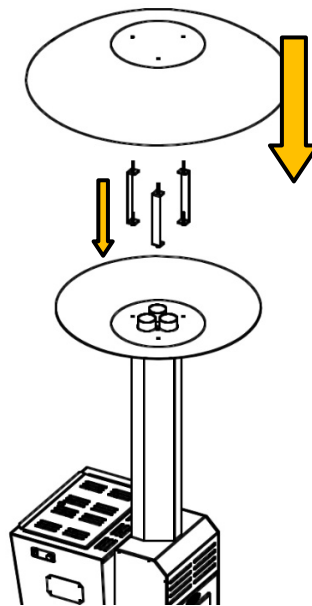


Fig. 5

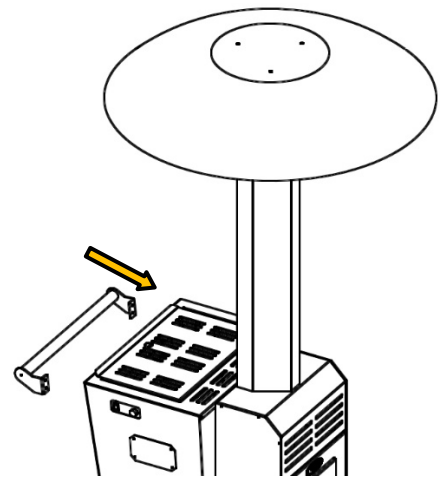
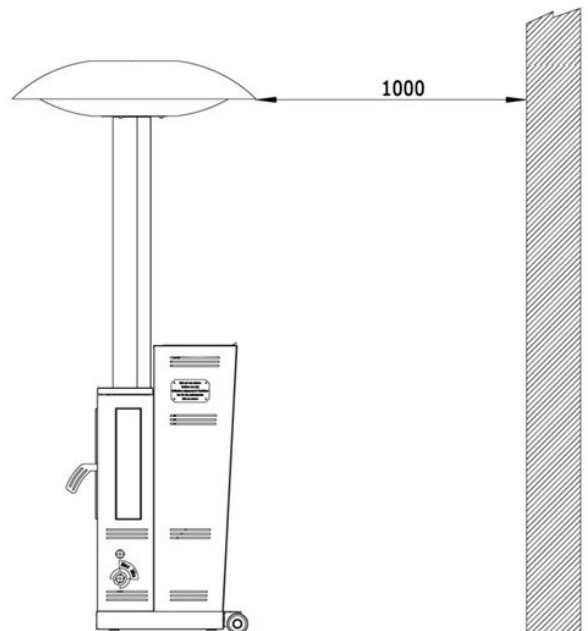
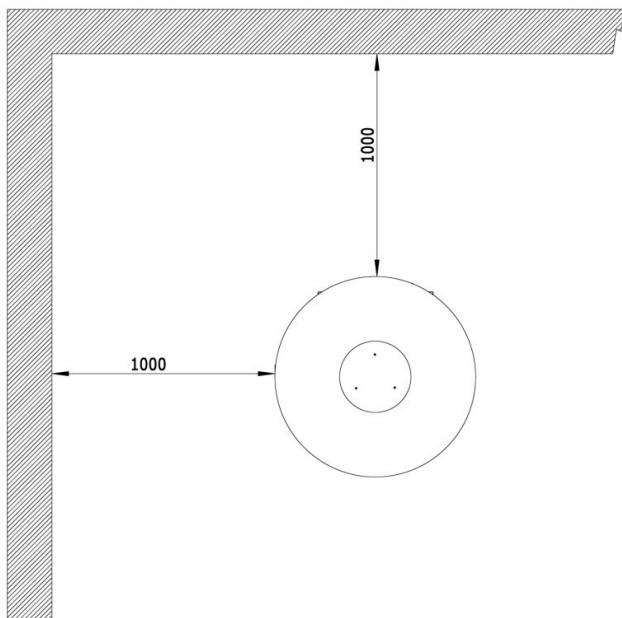


Fig. 6

### 3.4 Safety distances

The following figures show the minimum safety distances (in mm), which must always be guaranteed USE



## **CAUTION!!! - ONLY USE OUTDOORS**

- **This product was designed and tested for outdoor use alone. Indoor installations are not allowed;**
- **Safely position the hot spot so that it cannot be accidentally hit**
- **Position the hot spot as horizontally as possible**
- Do not use the unit as an incinerator or in any other way other than that for which it was designed;
- No other fuel besides wood pellets must be used;
- Do not use liquid fuels;
- When the stove is turned on, it can reach extremely high temperatures to the touch, especially its outer surfaces. Operate carefully to avoid burns;
- Do not make any unauthorised modifications to the device;
- Only use original replacement parts recommended by the manufacturer;
- Make sure that all exhaust system joints are hermetically sealed with silicone, are resistant to heat (250 °C) and are not damaged.

**CAUTION:** keep all flammable products well away from the product when it is operating (MINIMUM: 100 cm from the front wall).

**CAUTION:** to prevent the escape of fumes, the combustion chamber must be kept closed except during cleaning operations, to be carried out when the product is off.

**CAUTION:** in the event of pellet supply when the product is on, make sure that pellets are not finished and that the flame is always present and live in the brazier.

Do not refill the tank if you notice that the pellet is ending and the flame is absent or low.

**Failure to comply with this indication can be dangerous and cause fume malfunction and their explosion**

**CAUTION** prevent the fuel bag to come into contact with hot surfaces.

**CAUTION:** remove any residue of unburned pellets caused by failed ignitions before starting the hot spot again

**CAUTION:** if during the ignition phase, the product does not start and you notice a lot of smoke in the combustion chamber, immediately turn off the stove and replace the pellets being used, as these may be too high in moisture. Forcing ignition could make your product a hazard.

**CAUTION:** if during cleaning, you find traces of spongy or hard (though not ash) pellets, replace the pellets being used, as this residue may come from scraps of low quality sawdust not usable in this type of product. Forcing ignition can cause a fire or lots of smoke.

**CAUTION:** monitor proper combustion of the pellets in the brazier. Should you detect accumulations of unburned pellets, IMMEDIATELY TURN OFF the product and contact the service centre.

**CAUTION:** pay the utmost attention in the presence of children.



## 4.1 Instructions for use

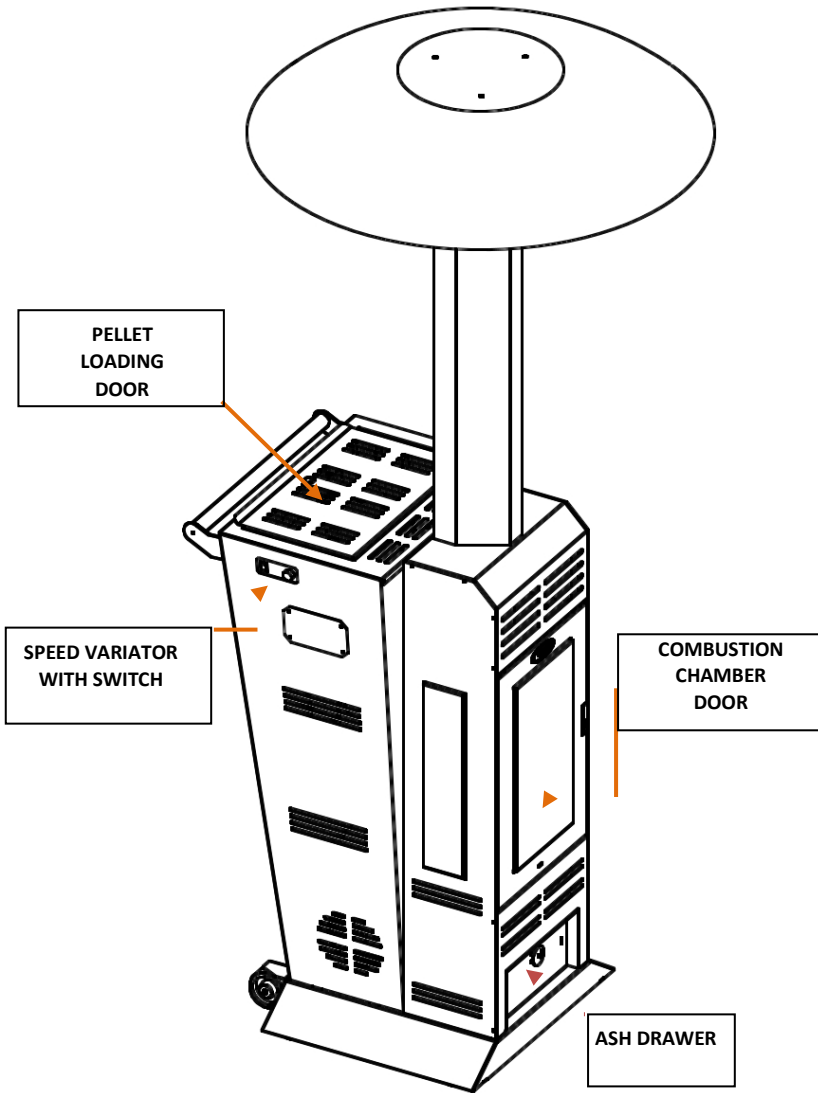


Fig. 7

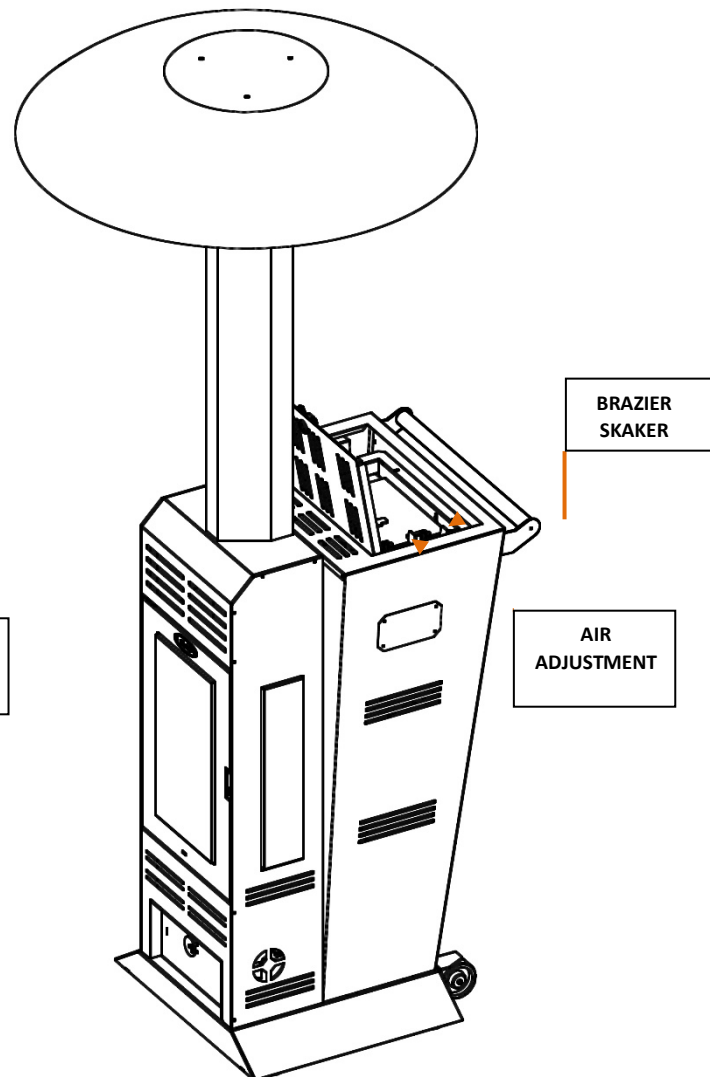


Fig. 8

## 4.2 Filling up the tank

- Raise the lid **A** and move the pellet loading lever to position 1 (fig.9)
- Move the lid **B** by turning the knob towards the open position (fig.10)
- Raise the lid **B** and put pellet in the tank (fig.11).
- Lower the lid **B** and move the handle towards the closed position (fig. 12).

**The pellets can be loaded even while the hot spot is on.**

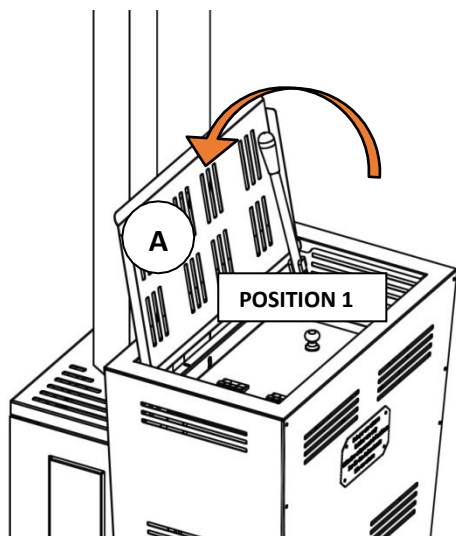


Fig. 9

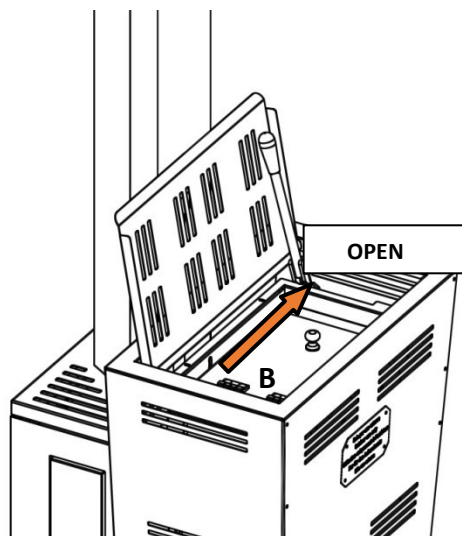


Fig. 10

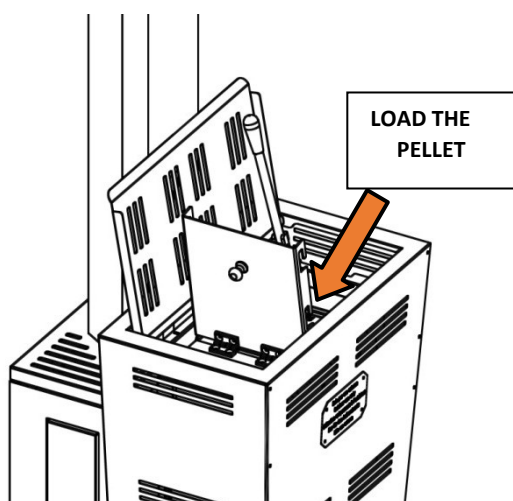


Fig. 11

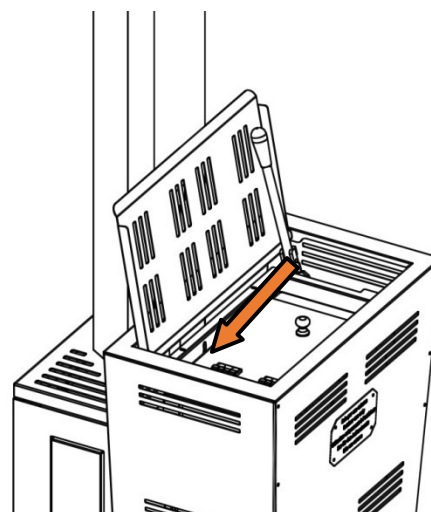


Fig. 12

## 4.3 Ignition

Once the tank has been filled up, the stove is ready to be turned on.

Put the lever in position 2 (fig. 13) and lower it to stand-by position (fig. 14); the pellet will fall down until the brazier is full; now you can open the main door and position a natural solid igniter on top of the pellet in the brazier and light it using a flame; leave the door ajar for a couple of minutes or even longer (this depends on the outdoor temperature and on the chimney flue) Close the door only when the flame reaches a minimum height of about 7 cm, so as to lick the holes located in the rear wall. The hot spot is now on.

**CAUTION: always clean the brazier prior to each ignition to avoid false starts and production of smoke.**

**If there is little ash residue, clean it by means of the shaker (page. 12); in case of hard-to-clean ash residue, take out the brazier by pulling the shaker lever and manually clean it.**

**CAUTION: this operation must always be carried out when the hot spot is off and cold.**

**CAUTION RISK OF BURNS.**

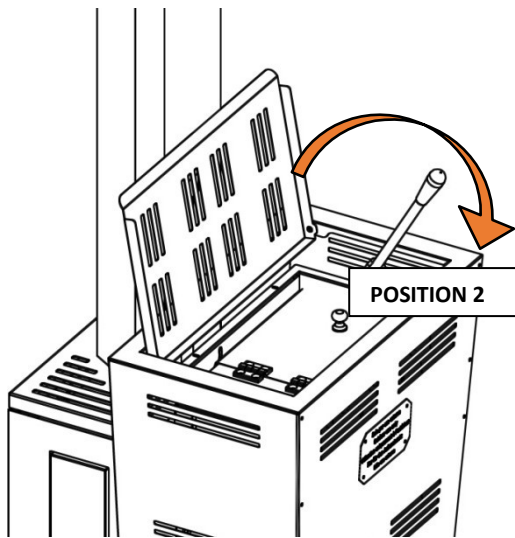


Fig. 13

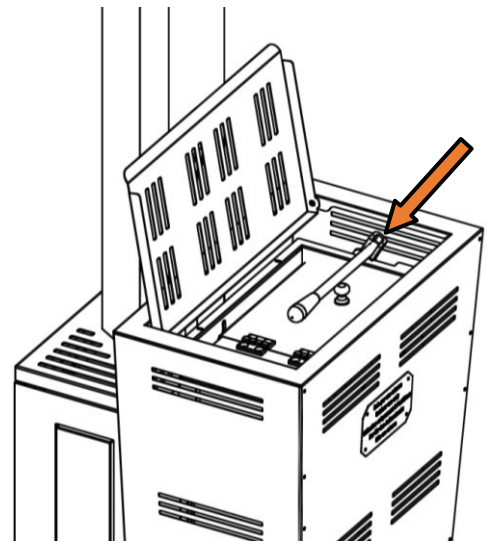


Fig. 14

#### 4.4 Combustion mode

The power between the maximum and minimum position can be modulated using the specific knob (fig. 15);

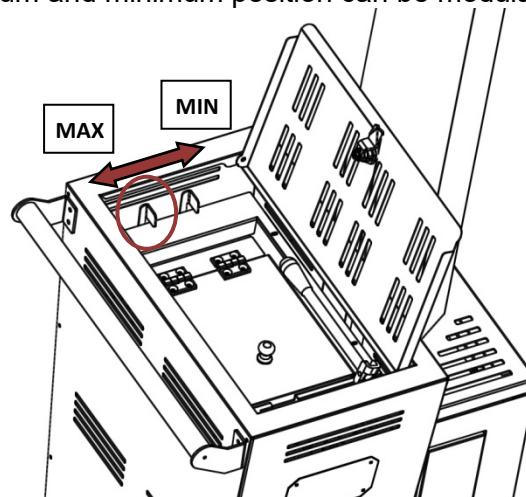


Fig. 15

Maximum power: **Max** Position

Minimum power: **Min** Position

#### 4.5 Brazier cleaning

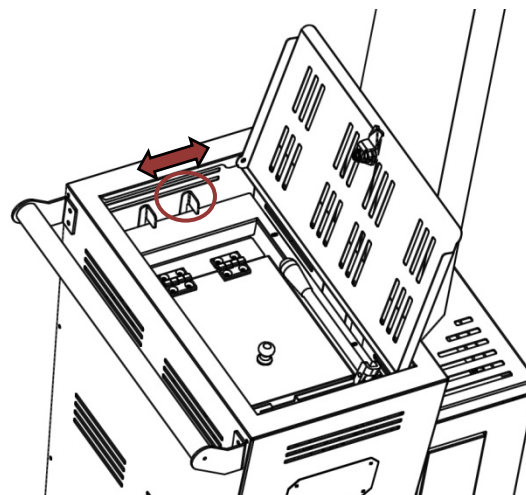


Fig. 16

To keep the flame always live and at maximum efficiency and avoid the formation of smoke, during operation it is necessary to clean the brazier using the specific shaker knob, which drops the excess ash in the drawer (no more than two or three blows).

The frequency of this operation depends on the quality of the pellet used.

#### 4.6 Shutdown

By moving the lever to position 1 (fig. 17), the fall of the pellets into the brazier will stop. Combustion will continue for about 20 minutes after which the machine will switch off.

To switch the hot spot back on, move the lever to position 2 and place a solid or gel-like igniter on top of the pellet in the brazier and light it up with a flame

**CAUTION: to prevent burns between shutdown and re-ignition, wait at least 15 minutes and check the cleanliness of the brazier and ash drawer.**

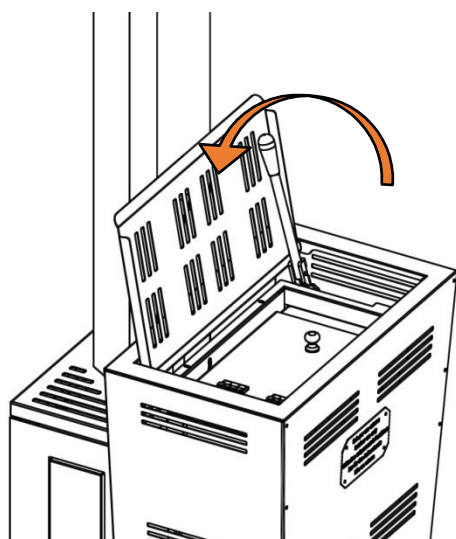


Fig. 17

**CAUTION RISK OF BURNS.**

**CAUTION: do not touch the brazier after switch off.**

**CAUTION: do not touch the door with bare hands while the barbecue is working.**

#### 4.7 Ventilation

This model provides ventilation that spreads the heat produced.

Ventilation is activated with the switch located on the left side (fig.18).

The ventilation speed can be adjusted using the knob located next to the switch

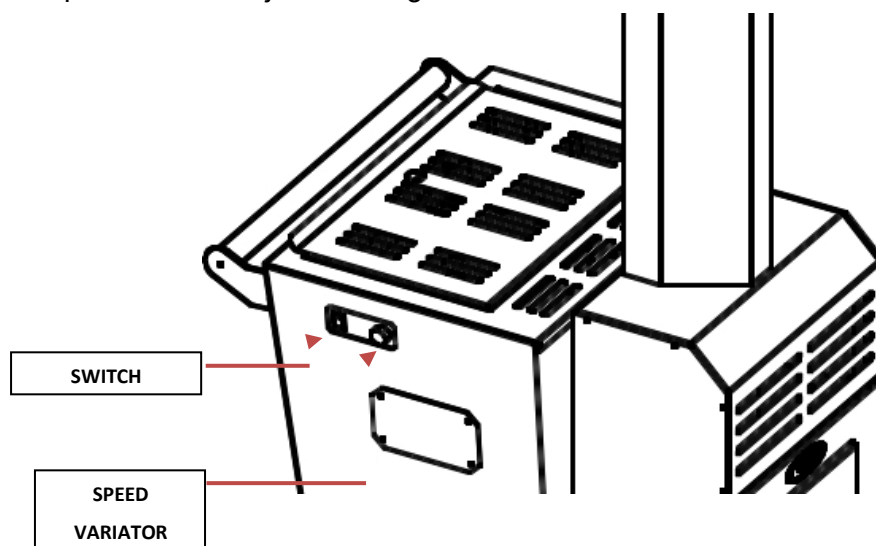


Fig. 18

## 5 WARNINGS AND MAINTENANCE

All maintenance operations (cleaning, potential replacements, etc.) must be carried out when the fire is out and the hot spot is cold. In addition, do not use any abrasive substances.

**Caution: failure to clean affects safety**

### 5.1 Opening the door

The burner door must remain closed during operation. The door should be opened only with the hot spot off and cooled down to perform maintenance and routine cleaning.

### 5.2 Disposal of ashes

The ash collection compartment must be emptied regularly so as to impede combustion residue from arriving at the brazier support. Ashes must be placed in a metal container with a sealed lid. Until ashes are completely out, the sealed container should be placed on a non-combustible base or on the floor, or well away from flammable materials.

**CAUTION: ashes keep embers on for a long time**

### 5.3 Brazier cleaning

When the flame becomes red or is weak accompanied by black smoke, it may mean that there are ash deposits or incrustations which are not allowing correct hot spot operation and which must be removed. To perform periodical cleaning, remove the brazier by releasing it from the shaker and lifting it from its housing; then clean it of ash and any incrustations which could have formed, with particular attention to freeing clogged holes using a pointed tool.

This operation is necessary in particular the first few ignitions, especially when using different quality pellets. The timing of this operation is determined by the frequency of use and the choice of fuel.

It is advisable to also check the brazier support, emptying it of any ashes. **CAUTION: before turning the hot spot on, check that the brazier is correctly inserted, resting against the rear wall of the combustion chamber and hooked to the shaker and clean and free of ashes.**

### 5.4 Ash drawer cleaning

Periodically check (about every 6 hours of operation) the ash drawer through the special inspection glass. And empty it at the end of each use through the door handle.

See paragraph 5.2 for ash disposal.



Fig. 18

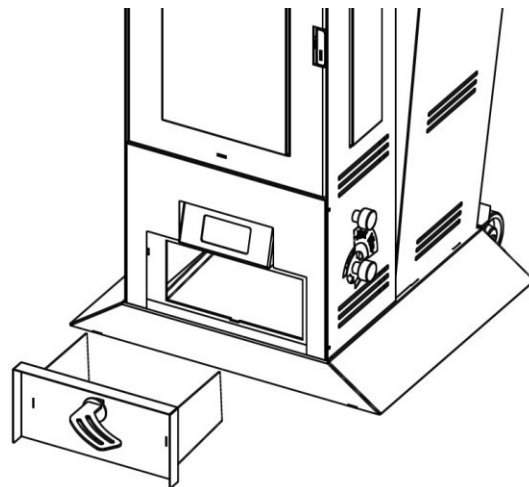


Fig. 19

## 5.5 Combustion chamber cleaning

Clean the combustion chamber periodically, removing ashes accumulated in the chamber using a vacuum cleaner.

Note Use a vacuum cleaner designed for the suction of ashes for this type of cleaning.

## 5.6 Cleaning metal parts

Use a soft cloth moistened with water to clean the metal parts of the hot spot.

Never clean metal or ceramic parts with alcohol, thinners, petrol, ketones or other degreasers.

Use of these substances frees the company from all liability. Discolouration of metal parts can be the result of improper use of the hot spot.

## 5.7 Cleaning slide

Using the specific scraper **A** (fig.20), periodically clean the pellet slide **B** (fig.21) from any incrustations which could slow down or block the pellets falling into the brazier.

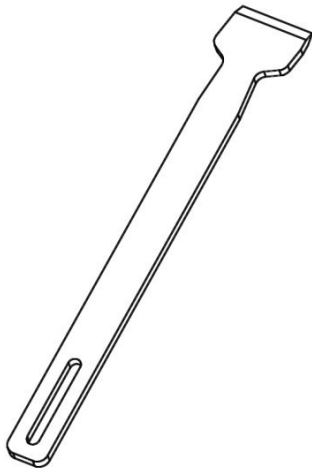


Fig. 20

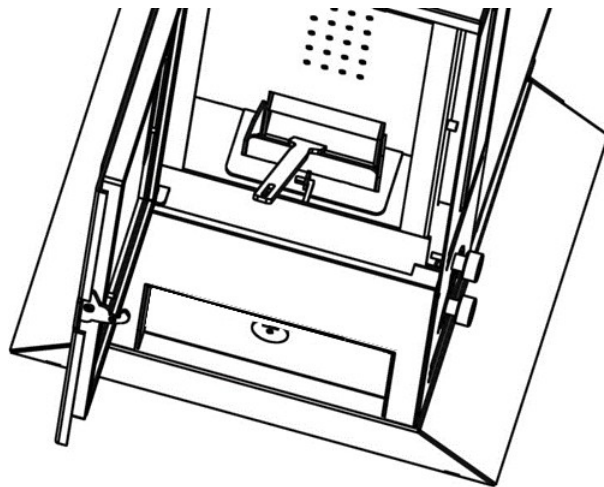


Fig. 21

**CAUTION RISK OF BURNS.**

**CAUTION: Perform this operation when the hot spot is cold.**

## 5.8 Cleaning the glass part of the door

The door glass must be cleaned (cold) with ammonia-based and non-corrosive degreasers, such as a diluent. Prevent corrosive substances from coming into contact with the paint as these can cause damage. If glass is hot, before proceeding with cleaning, keep the door open as long as necessary until it cools down. Do not use any material that can scratch or damage the glass.

## 5.9 Breaking of the glass

The door is equipped with a 5-mm thick ceramic glass that is resistant to a thermal shock of 750°C. This glass can break only due to a strong impact or misuse. Do not slam the door or hit the glass. In case of breakage, replace with an original replacement part only. Contact a Technical Assistance Centre to replace.

## **5.10 Stove inactivity**

At the end of the season, perform the following operations:

- Remove all pellets from the tank and from the chute;
- Thoroughly clean the brazier, the brazier support, the combustion chamber and the ash drawer;
- Clean all dust, spider webs, etc. from the area behind the panels of the inner cladding once a year,
- Leave the door half open so as to prevent any condensate inside the combustion chamber.

## **5.11 Routine and special maintenance**

**These operations must be scheduled YEARLY with a Technical Support Centre** and are required to ensure the product is kept efficient and ensure safe operation.

- Thorough cleaning of the combustion chamber;
- Cleaning and inspection of the smoke exhaust duct;
- Verifying proper seal of the inspection door springs and gaskets
- Cleaning the mechanisms and moving parts;



Laminox S.r.l. Divisione Idro  
Zona Industriale Callarella, 261/263 – 62028 SARNANO (MC) Italy  
Tel. +39 0733.657.622 – Fax +39 0733.657.494  
[www.laminoxidro.com](http://www.laminoxidro.com) e-mail: [export@laminox.com](mailto:export@laminox.com)